

# SCAN 5004 FRL

## ACCESSORIES



### **21052987 Scan 5004 FRL complete**

Consisting of:

- 30052587 Scan 5004 FRL**
- 50052627 Convection cover, top**

Additional accessories:

- 50052627 Convection cover, top**
- 50052628 Frame 1, 90 degrees bent, top/back**
- 50052629 Frame 2, 90 degrees bent, top/back/bottom**
- 50052633 Heat-accumulating stones Ø200 mm**
- 50054151 Fresh air box for bottom** (outside Ø145/150 mm - inside Ø135/130 mm)
- 50054935 Handling kit**
- 50059023 Adjustable legs, 190 mm**
- 51052597 Convection air grids (2 pcs.)**

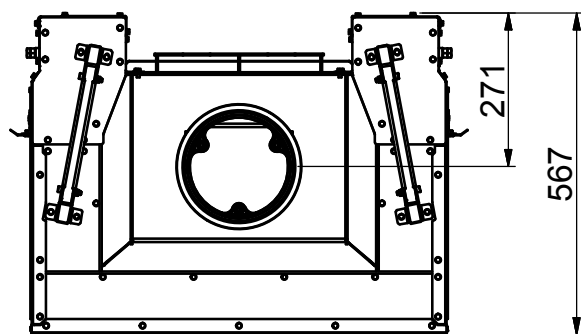
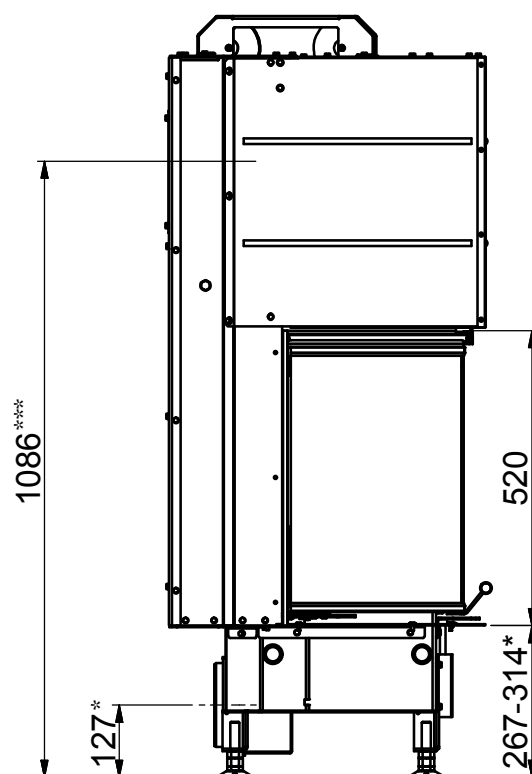
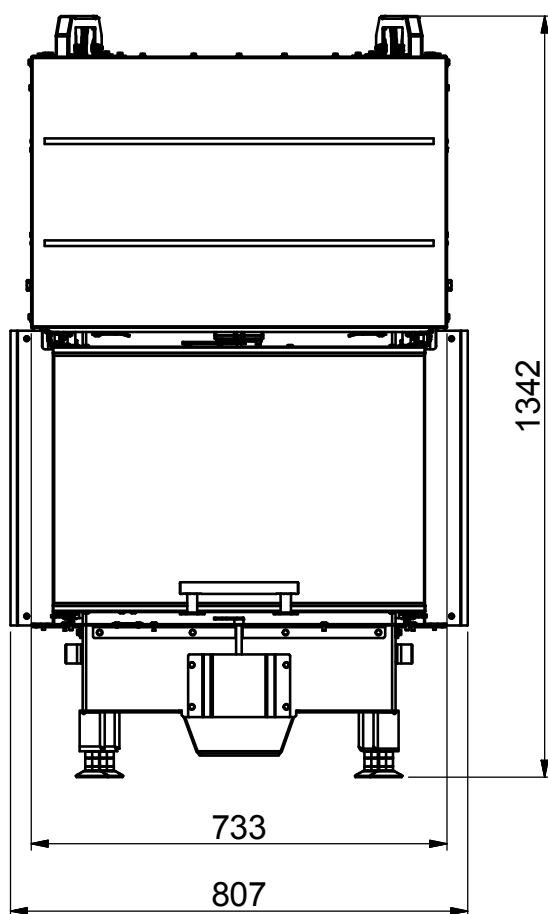
# SCAN 5004 FRL

## ACCESSORIES



30052587

Scan 5004 FRL



All distances are in mm.

\* Connection of fresh-air intake - inside measure: Ø132 mm - outside measure: Ø149 mm

\*\*\* Height to the beginning of flue connecting piece at top/rear outlet,  
flue conn. piece - inside measure: Ø175 mm - outside measure: Ø200 mm

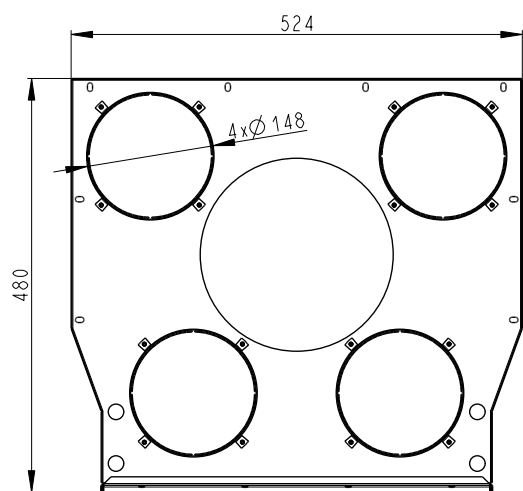
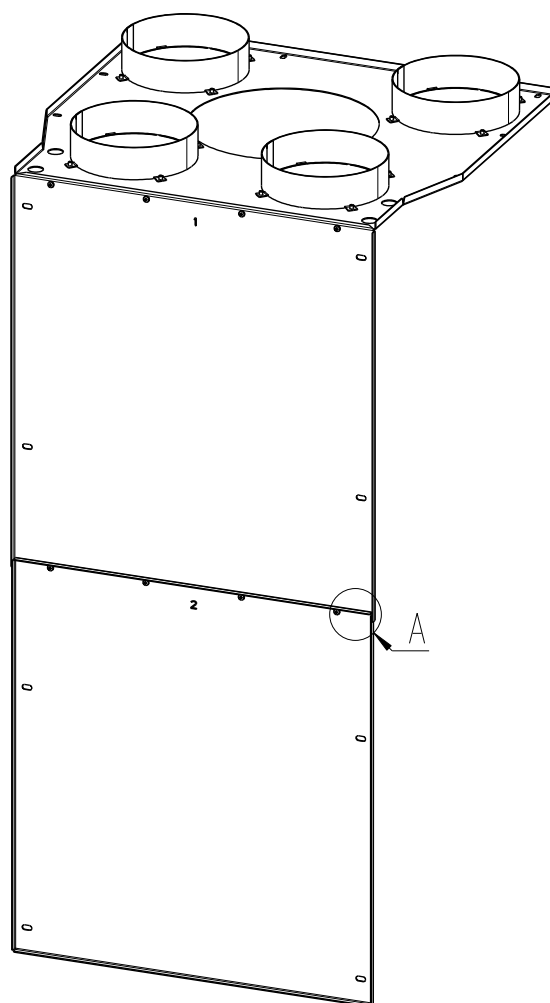
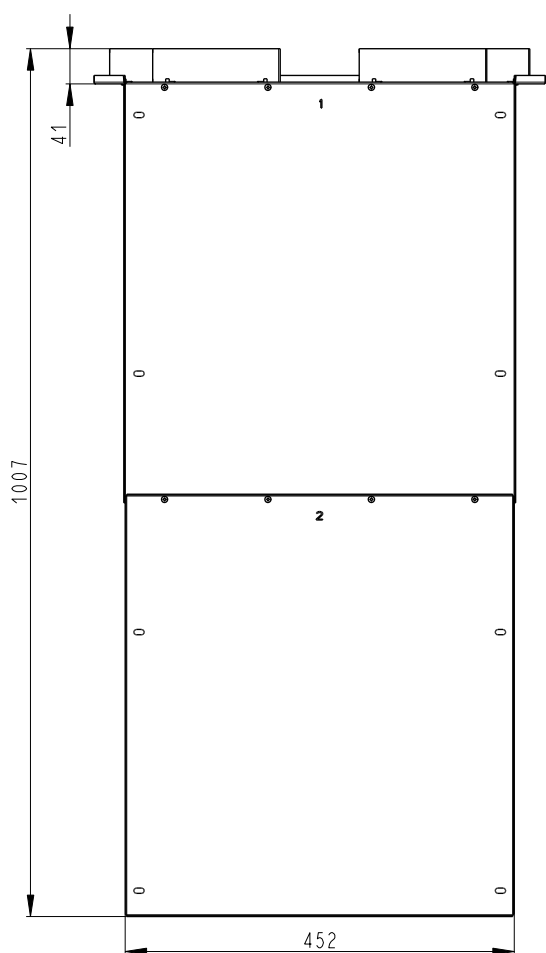
# SCAN 5004 FRL

## ACCESSORIES

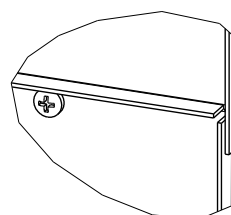


50052627

Convection cover, top

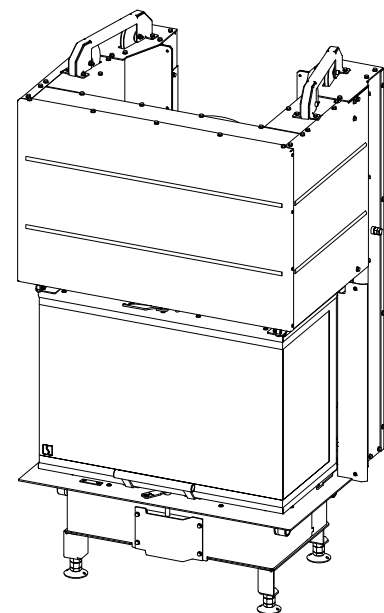
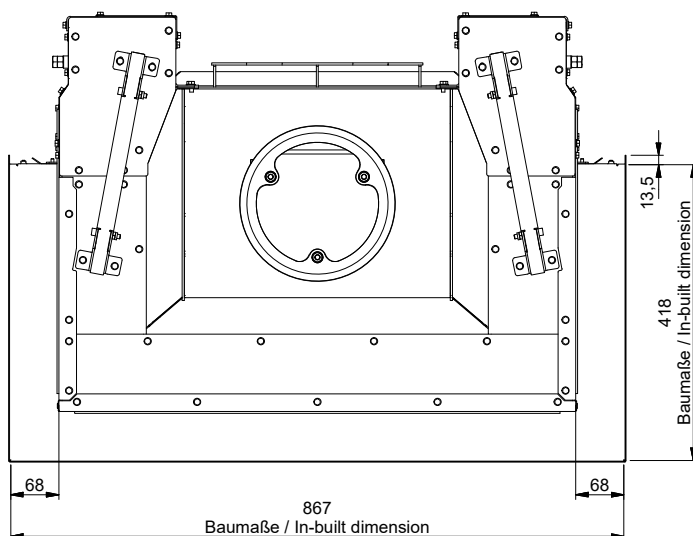
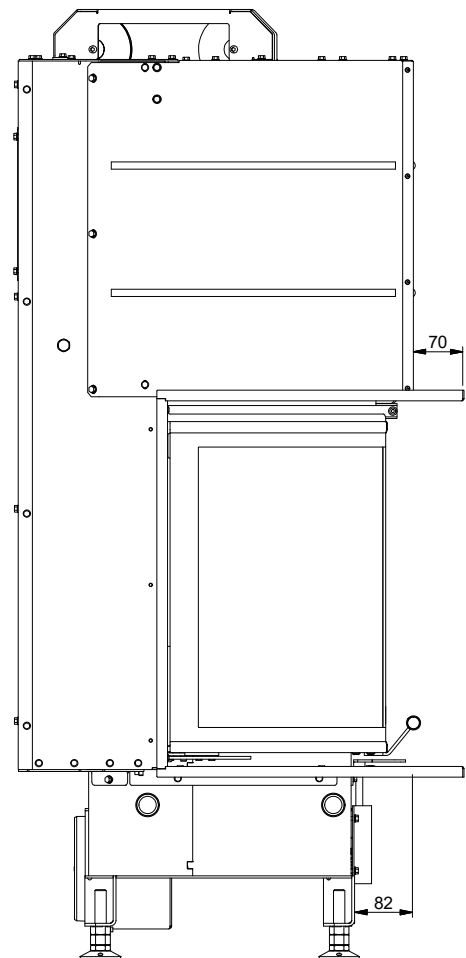
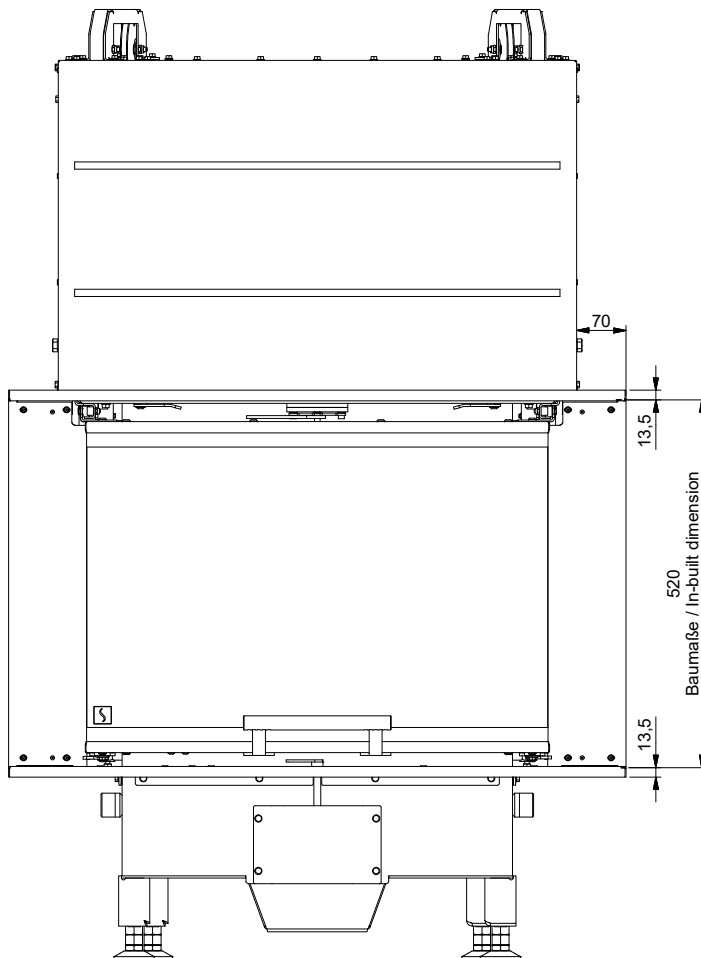


A  
1:1



# SCAN 5004 FRL

## ACCESSORIES



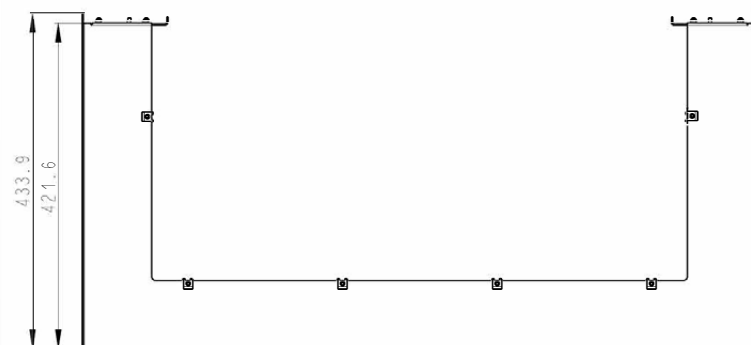
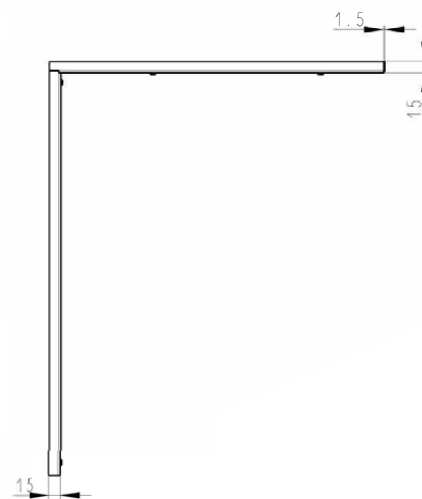
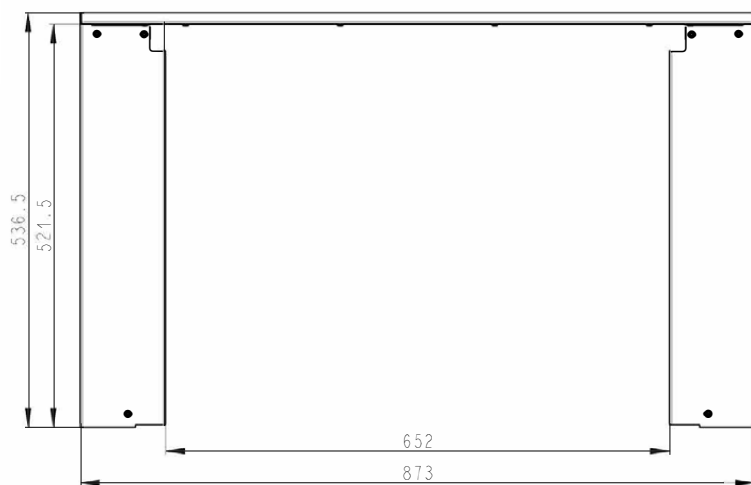
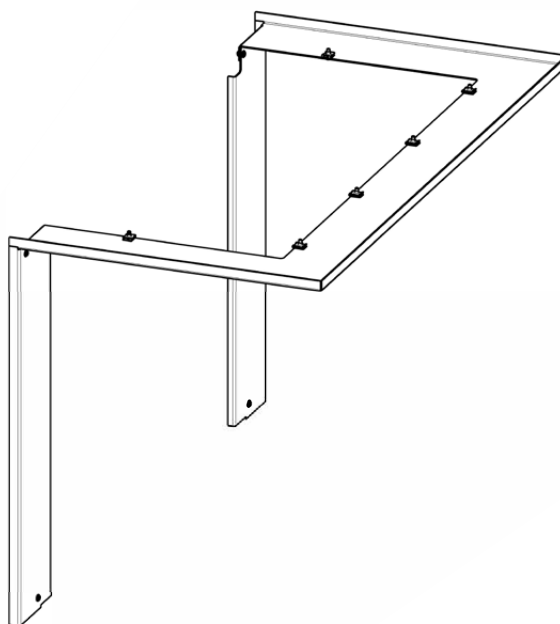
# SCAN 5004 FRL

## ACCESSORIES



50052628

Frame 1, 90 degrees bent, top/back



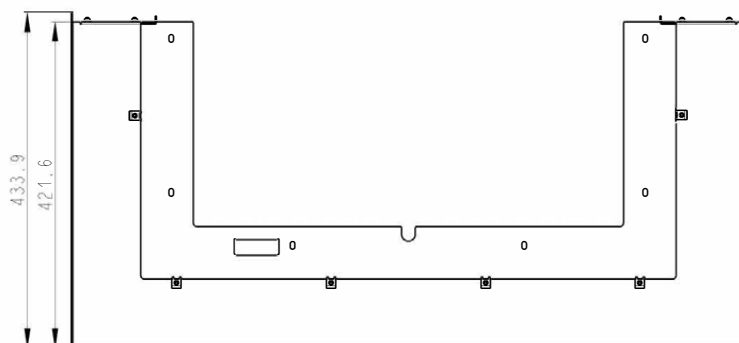
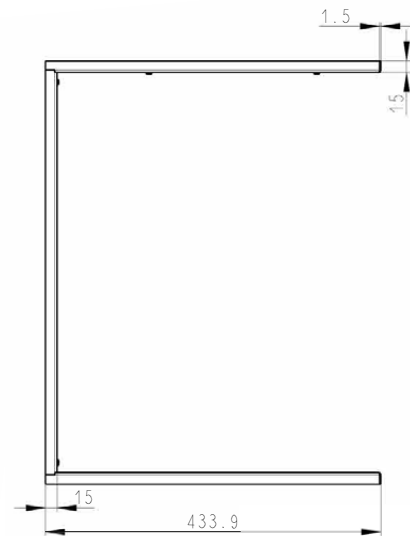
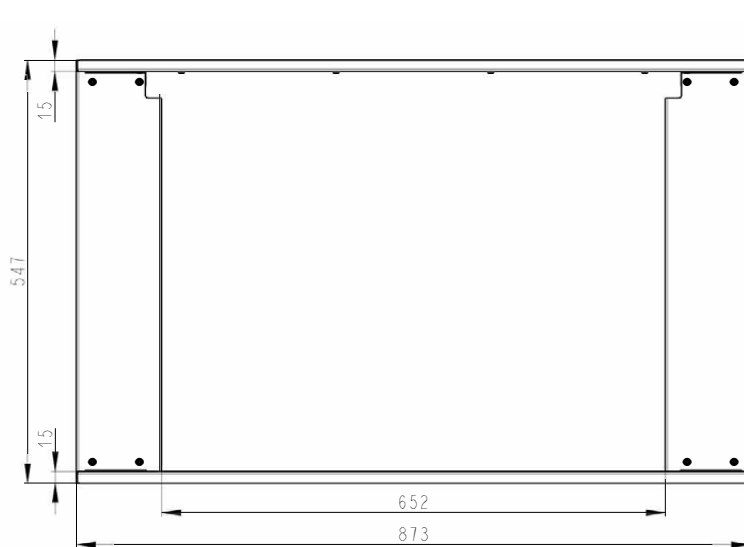
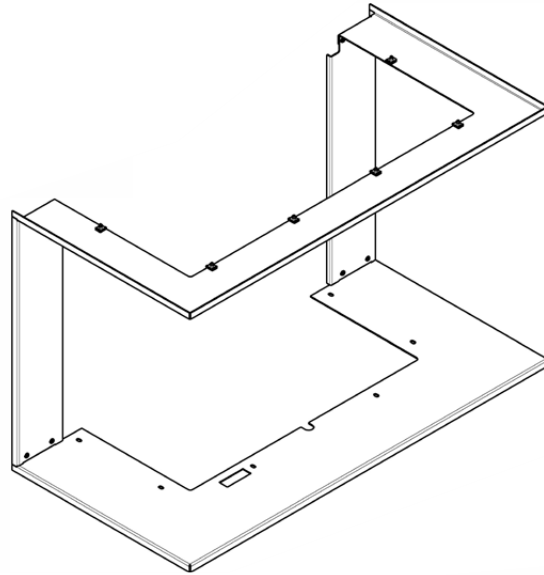
# SCAN 5004 FRL

## ACCESSORIES



50052629

Frame 2, 90 degrees bent, top/back/bottom



# SCAN 5004 FRL

## ACCESSORIES



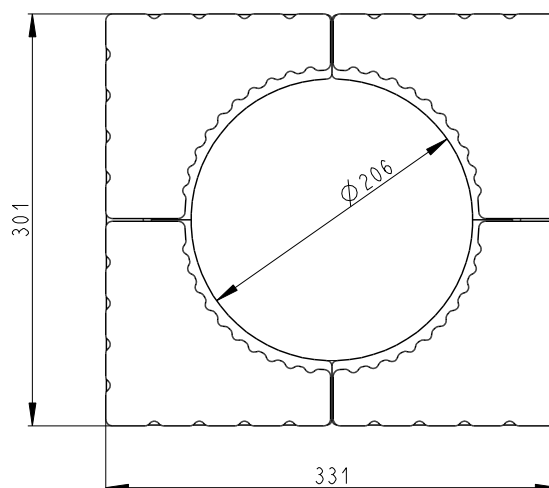
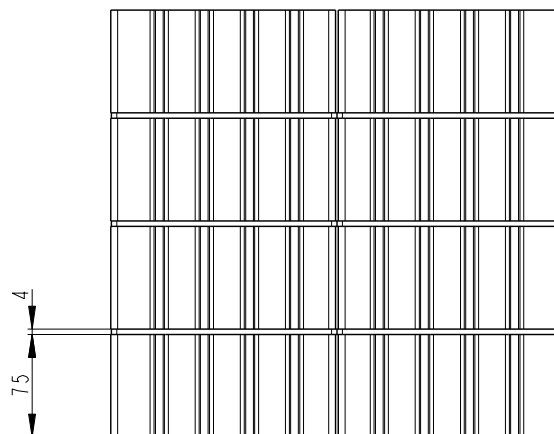
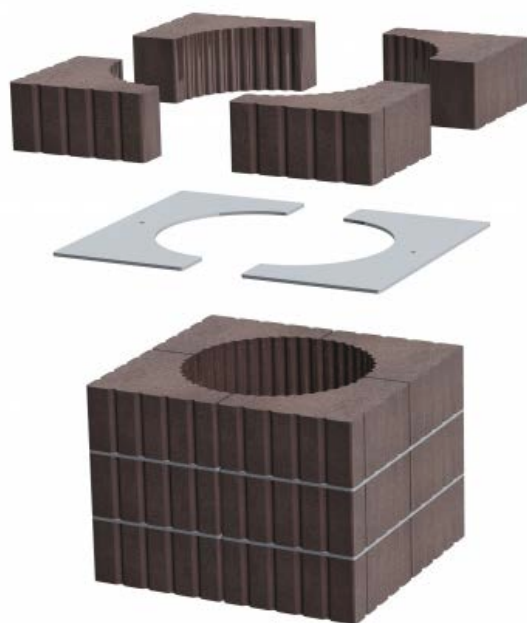
**50052633**

### Heat-accumulating stones Ø200 mm

Heat-storage stones are made from a special material with a high heat capacity. The stones are heated when the stove is on, re-releasing heat once it is off. This extends the time over which the stove remains warm.

**The stones can not be used with the heat shield/convection covers!**

70 kg



# SCAN 5004 FRL

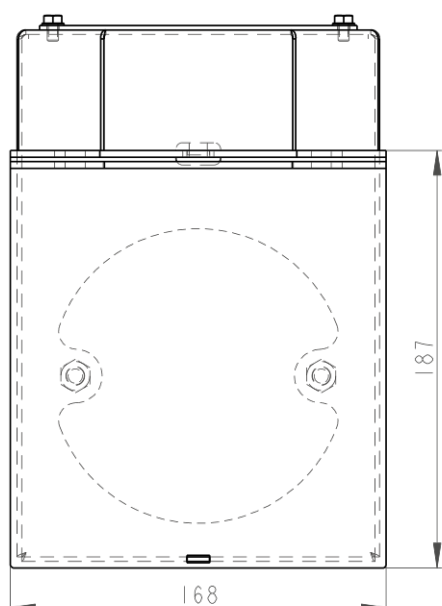
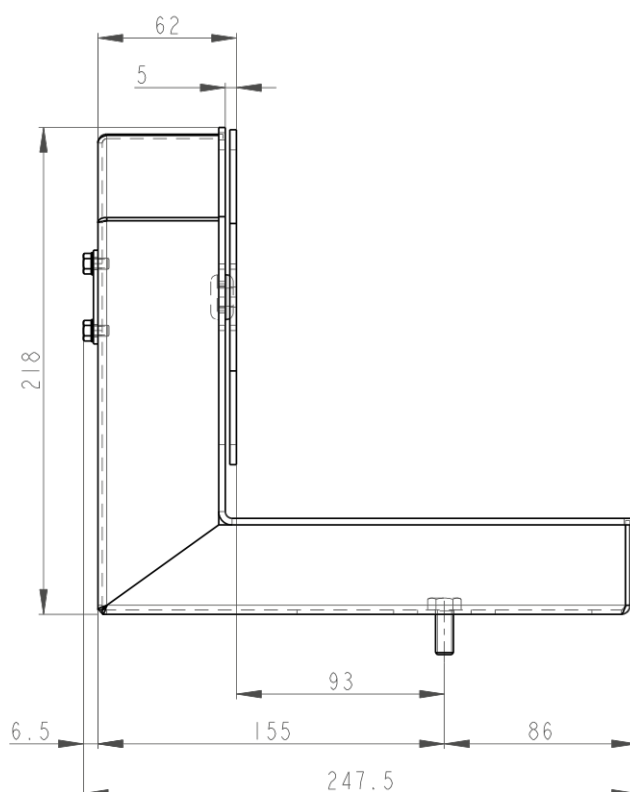
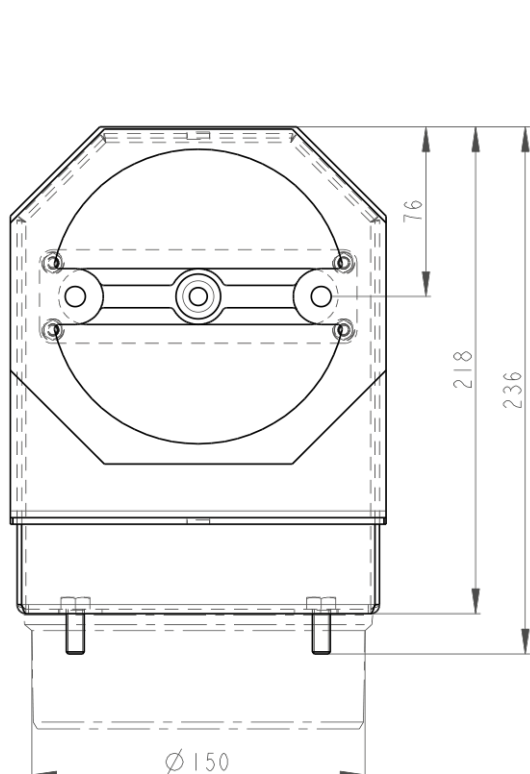
## ACCESSORIES



**50054151**

**Fresh air box for bottom**

(outside  $\varnothing 145/150$  mm - inside  $\varnothing 135/130$  mm)



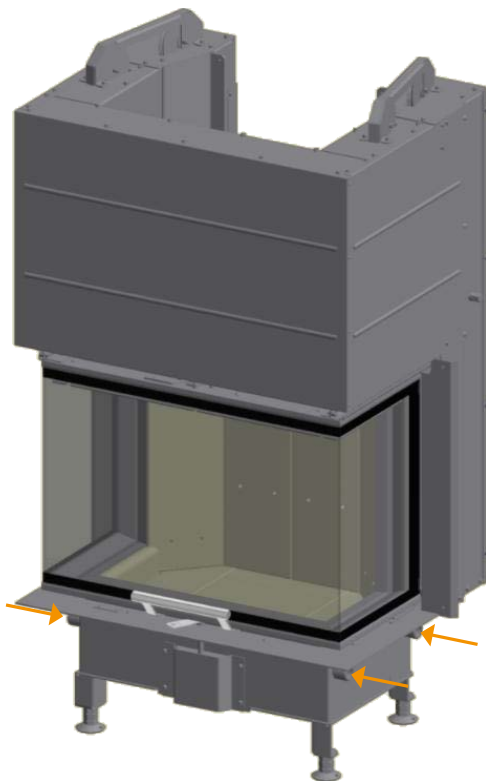


# SCAN 5004 FRL

## ACCESSORIES



**50054935**  
**Handling kit**



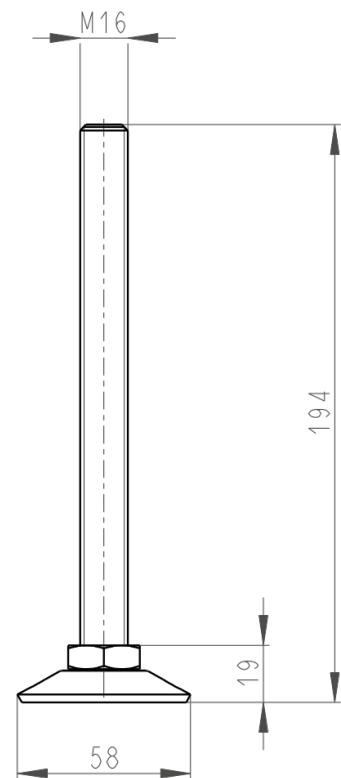
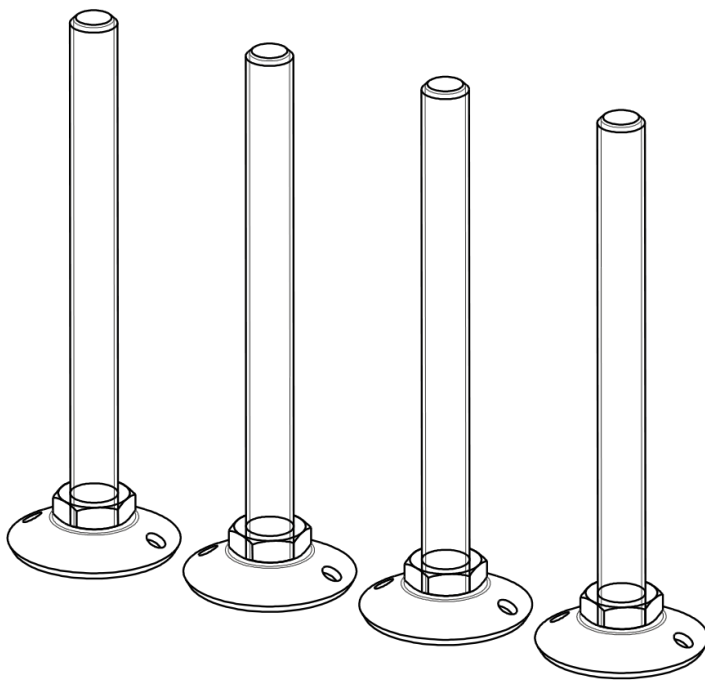
# SCAN 5004 FRL

## ACCESSORIES



**50059023**

**Adjustable legs, 190 mm**



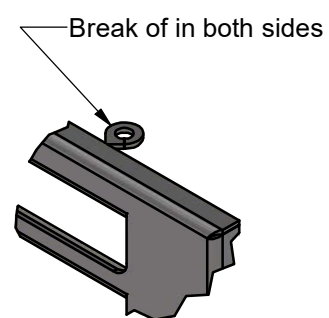
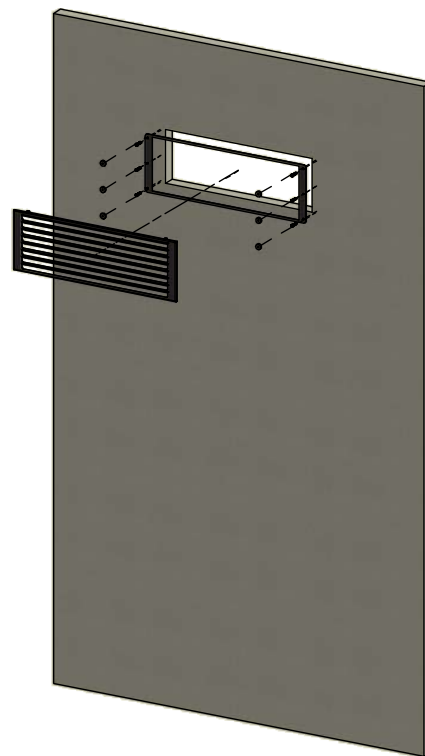
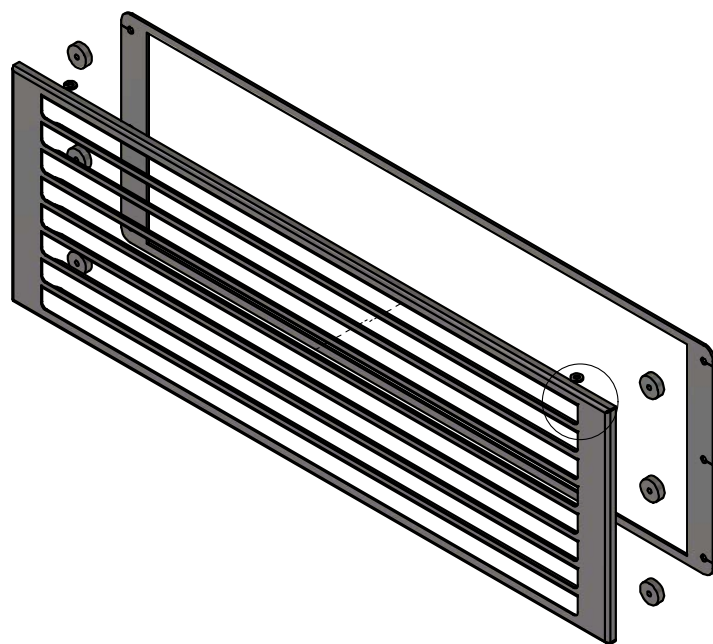
# SCAN 5004 FRL

## ACCESSORIES



51052597

Convection air grids (2 pcs.)



Size of hole in wall

